

# PORTS & ACCESSORIES



## CONTOURED 4" & 5" PORTS

Each screw-in port includes one deck ring and one lid. The deck ring has a contoured surface for leak-free installation on a curved deck. The kit includes two ports, nylon fasteners, silicone sealant and instructions. Cat Bags not included. By Viking Marine.

### For H-14, N-5.0, N-5.2, N-5.8

01-1161WH	4" Port only	White	\$9.75	01-1171WH	5" Port only	White	\$11.50
01-1161BK	4" Port only	Black	\$9.75	01-1171BK	5" Port only	Black	\$11.50
01-1164WH	4" 2-Port Kit	White	\$36.00	01-1174WH	5" 2-Port Kit	White	\$38.50
01-1164BK	4" 2-Port Kit	Black	\$36.00	01-1174BK	5" 2-Port Kit	Black	\$38.50

### For H-16

01-1161WH	4" Port only	White	\$9.75	01-1171WH	5" Port only	White	\$11.50
01-1161BK	4" Port only	Black	\$9.75	01-1171BK	5" Port only	Black	\$11.50
01-1164WH	4" 2-Port Kit	White	\$36.00	01-1174WH	5" 2-Port Kit	White	\$38.50
01-1164BK	4" 2-Port Kit	Black	\$36.00	01-1174BK	5" 2-Port Kit	Black	\$38.50

Sorry, lids are not available separately.



## A-B. CAT BAGS

Sturdy nylon bags with plastic collars hang inside Viking access ports on a molded shoulder. 4" port bags are 9" deep. 5" and 6" bags are 12" deep. Fat Cat bags have the same depth, but 12" maximum diameter for greater storage capacity.

A.	01-1169	4" Cat	\$16.50
B.	01-1170	4" Fat Cat	\$19.00
	01-1178	5" Cat	\$18.50
	01-1179	5" Fat Cat	\$24.00
<b>For H-18 Viking Screw-In Ports (#01-4210)</b>			
	01-4212	6" Cat Bag	\$20.00
	01-4213	6" Fat Cat Bag	\$28.00



## FLAT DECK 4" & 5" PORTS

Each screw-in port includes one deck ring and one lid. The deck ring is designed to install on a flat surface. A lip accommodates Cat Bags (not included). By Viking Marine.

01-1191WH	4" Port	White	\$9.50
01-1195WH	5" Port	White	\$11.25



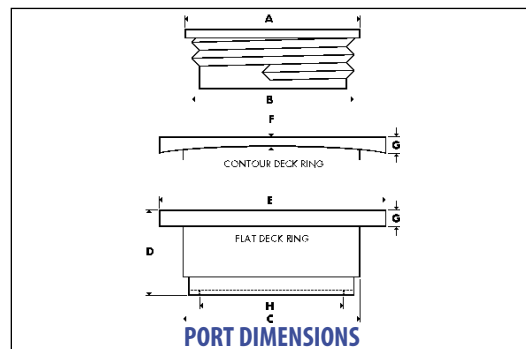
## SCREW-IN 6" PORTS

Standard on Hobie® 18 and new Prindle cats; upgrade for older Prindles. Install on any flat deck, including kayaks, where there is 8-1/2" of flat surface available. 6" white port has a lip for a Cat Bag. By Viking. Each.

01-4210	\$14.00
---------	---------

## WHY INSTALL DECK PORTS?

Deck ports provide ventilation, access to storage space and entry for inspection or repair. They are a good way to dry out hulls so that your boat is not carrying around excess weight. Black color has superior UV resistance.



	4" contour	4" flat	5" contour	5" flat	6" screw-in
A	4-15/32"	4-15/32"	5-15/32"	5-15/32"	6-7/16"
B	4-1/8"	4-1/8"	5-1/8"	5-1/8"	6-1/8"
C	4-1/2"	4-1/2"	5-1/2"	5-1/2"	6-1/2"
D	7/8"	7/8"	7/8"	7/8"	1-1/4"
E	5-3/4"	5-3/4"	6-3/4"	6-3/4"	8-3/16"
F	3/32"		1/8"		
G	1/4"	3/16"	3/16"	3/16"	1/4"
H	3-3/4"	3-3/4"	4-5/8"	4-5/8"	5-9/16"

## WHICH PORT FITS WHICH BOAT?

01-1161WH or BK Contoured 4"	01-1171WH or BK Contoured 5"	01-1191WH Flat 4"	01-1195WH Flat 5"	01-4210 Screw-In 6"
H-14	H-16	Nacra aft & forward**	Tiger*	H-18
Nacra aft & forward**	Wave	Nacra forward**	H-20	Prindles
Inters				

\*Fill and redrill fastener holes \*\*Forward is on-stock; choose flat or contoured depending on location

## REPLACEMENT "O" RINGS FOR VIKING PORTS

01-1161OR	For 4" Port	\$1.00
01-1171OR	For 5" Port	\$1.50
01-4210OR	For 6" Port	\$1.50

## PORT INSTALLATION

Apply silicone generously to ring and deck. Do not overtighten fasteners as this may deform ring. Fastener kits include all needed fasteners for two ports plus Silicone sealant.

01-1159	Fastener Kit	White	\$15.95
01-1160	Fastener Kit	Black	\$15.95
40-8019	Clear Silicone	3 oz	\$9.95
19-1520BK	Nylon Screw	#8-32x1-1/4" Black	\$.28
19-1520WH	Nylon Screw	#8-32x1-1/4" White	\$.28
19-4006WH	Nylon Washer	#8 White	\$.06
19-2020WH	Nylon Hex Nut	#8-32 White	\$.20
19-5015	AAP 6-6 Star Rivet	3/16" x 3/8"	\$.75
19-1517	Flat Head Machine Screw	8x1" Stainless Steel	\$.30
19-2016	Hex Nut	8x32 Stainless Steel	\$.16
19-4011	Washer	Stainless Steel	\$.20

## HANGING PORT BAG

Economical, 6" x 11" nylon bag attaches to the lid of a 6" access port. Features two grommets on one end in order to tie off the rope port handle; a plastic snap hook on the other end attaches to the underside of the Beckson (Prindle and some H-18) port lid. Each.

01-5220	\$15.00
---------	---------



## TWIST-LOCK DECK PLATES

Feature a twist lock handle which allows easy removal without pry tools. The polypropylene deckplates are acetone resistant. Each.

01-1184WH	6"	\$25.00
01-1185WH	8"	\$35.00

**TIP** When installing port, apply silicone #40-8019 where rope goes through lid to reduce leakage.

## RELATED ITEMS

Folding Anchor	pg 18
Telescopic Paddle	18